



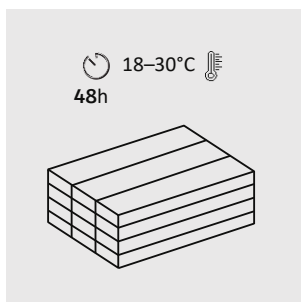
**Floor installation instructions.
Pacific Vinyl Floors Comfort,
Absolute XXL and Unique XL**

pacificfloors.pl

Installation instructions for Pacific Vinyl Floors panels

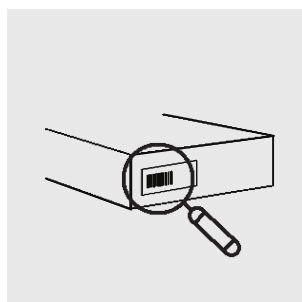
These installation instructions apply to the Pacific Vinyl Floors Comfort, Absolute XXL and Unique XL 4+1 mm collections. These panels have an integrated substrate. Information on laying the herringbone pattern from the Chevron collection in the 4.5+1 mm variant can be found in the dedicated installation instructions.

Preparation



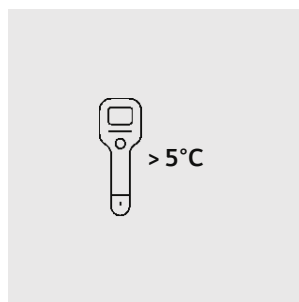
1

Store Pacific Vinyl Floors panels on a flat surface, in even piles, away from moisture and extreme temperatures (35°C). Acclimatize them for 48 hours at 18–30°C before installation at the installation site. Maintain this temperature before, during and for 24 hours after assembly. Carry out installation at an ambient temperature of 18–30°C and substrate temperature above 15°C.



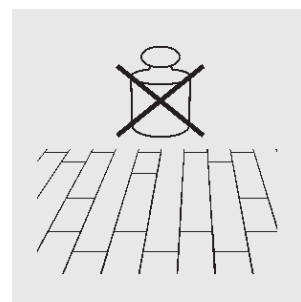
2

Pacific Vinyl Floors panels are available in a variety of forms, patterns and properties. Before installation, check that the product corresponds to your order. Keep the labels and proof of purchase.



3

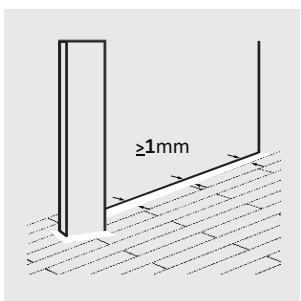
Pacific Vinyl Floors panels are designed for installation in heated rooms where the temperature exceeds 5°C. You will get the best results at room temperature (18–30°C). The panels are not suitable for installation in solariums, porches, caravans, boats or other unheated spaces.



4

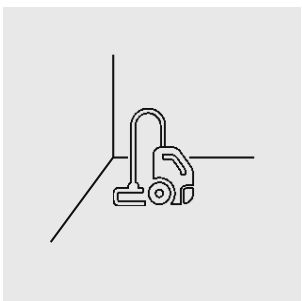
Pacific Vinyl Floors should not be blocked. Heavy objects, such as stoves or furniture, should be installed before laying the floor, not on it. Heat-emitting objects, such as stoves, should be placed on protective plates, and panels should be laid around them with expansion gaps.

The floor must be able to move freely to avoid gaps. Adequate expansion gaps should be provided around heavy objects. The panels are a floating floor and should not be fixed to the floor.



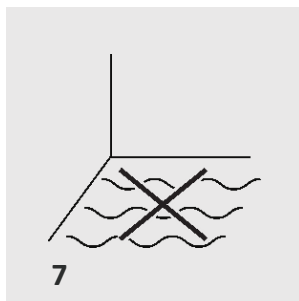
5

If the door frame is installed after the installation of the floor, ensure a gap of 1 mm between the end of the frame and the floor surface.



6

The substrate must be dry, even, stable, clean and free of grease. Remove old glues, sweep and vacuum, removing dirt and nails. Repair larger cracks. Remove the old wall slats before installation and install the new ones when finished.

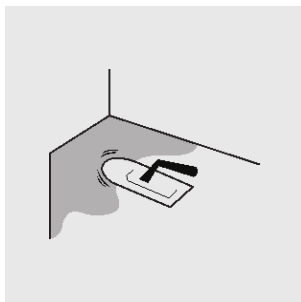


7

The quality and preparation of the substrate have a key impact on installation. If the substrate is unsuitable, consult your Pacific Vinyl Floors supplier. Uneven subfloors can lead to deformations and cracks in the floor.

>>>

The substrate should be stable and well fixed. Do not install floating floor on soft, damaged or loose substrate. Remove any soft coverings, such as carpet, rug or soft vinyl, and floating floor coverings.

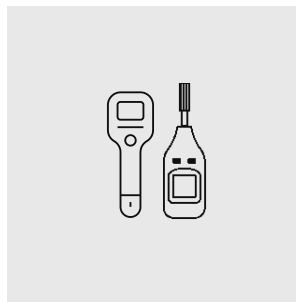


8

Cement joints and cracks with a depth of more than 2 mm and a width of more than 5 mm should be leveled.

For Pacific Vinyl Floors panels with a snap-in system: smooth out subfloor irregularities exceeding 1 mm by 20 cm and 4 mm by 2 m. Use sanding or scraping.

>>>



9

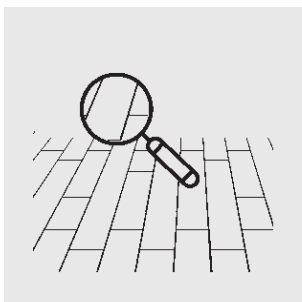
If a self-leveling screed is needed, check whether a primer or sealer is required..

Before installing on a mineral substrate, make sure it is dry. For cement substrate, the CM moisture content should be < 2.5%, for anhydrite < 0,5%. With underfloor heating, for cement < 1.5%, for anhydrite < 0.3%. Conduct humidity measurements and record the results.

>>>

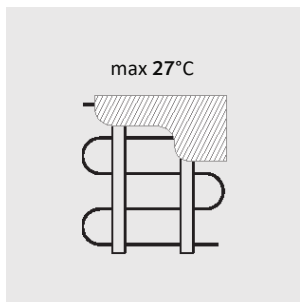
Fresh screed must dry 1 week per cm of thickness up to 4 cm, and above 4 cm—2 weeks per cm. For example, a 6 cm screed takes 8 weeks to dry.

On mineral substrates, waterproofing is required in accordance with building regulations. If it was not applied, use available solutions according to the manufacturer's instructions.



10

Remove carpets before installing on wood. Check wood for mold and insects. Remove moisture to prevent rotting. Make sure the substrate is level, fix loose parts. Level the substrate with slabs, sanding or self-leveling screed. Provide ventilation of the space under the floor (min. 4 cm² per 1 m²) and check that the moisture content of the wood does not exceed 10%.



11

Interior floors with various heating systems should be separated by a transition profile and have an expansion gap of at least 8 mm wide.

Floor heating:

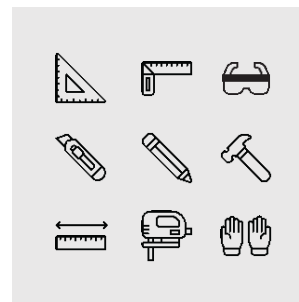
The maximum temperature of the floor surface should not exceed 27°C. The temperature should be changed gradually at the beginning and end of the heating season.

>>>

Avoid heat accumulation through carpets or improper furniture placement.

Floor cooling:

The thermal resistance of the floor should be below 0.15 m²K/W. Use systems with condensation detection sensors that turn off cooling when condensation occurs. Panels must be properly protected with a thermal seal when underfloor heating.

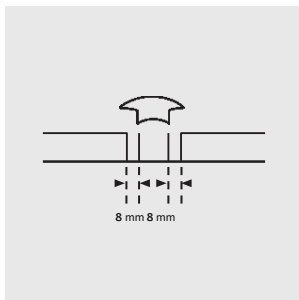


12

Pacific Vinyl Floors has integrated substrate, so additional substrate is not needed.

Tools:

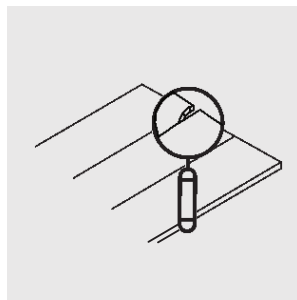
knife, pencil, tape measure, protractor, 5-8mm expansion wedges, protective gloves, safety glasses.



13

Wall expansion joint between panels and all elements of vertical structures (columns, walls, islands, etc.) should be min. 5 mm, and with underfloor heating min. 8 mm. Pacific Vinyl Floors can be installed without expansion strips in rooms with an area of 200m² or less and where none of the dimensions exceed 20m. >>>

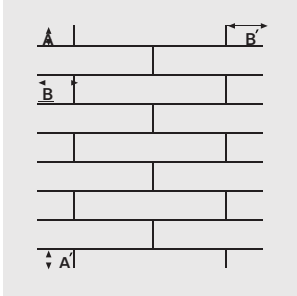
Expansion cut is required when:
a. room exceeds 20m in length;
b. room exceeds 20m in width;
c. area exceeds 200m²



14

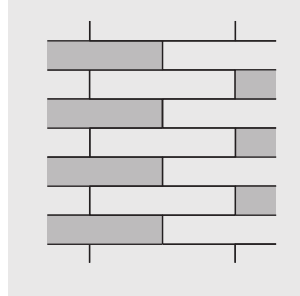
Before and during installation, check the panels under natural light to ensure that the color and quantity match the order, and the packaging is not damaged. Inspect each panel for defects and do not install defective ones. After installation of the panel, claims will not be accepted.

Assembly



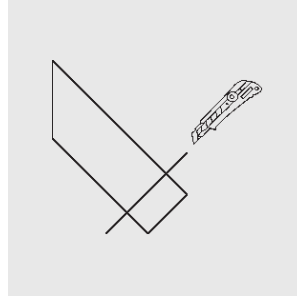
1

Before installation, carefully measure the length and width of the room to plan the layout of the panels. The dimensions of A and A' must be at least 5 cm, and B and B' must be 20 cm.



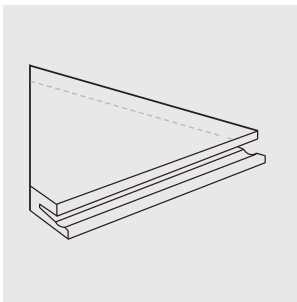
2

When installing, mix panels from different packages to avoid stacking too many boards of similar shade next to each other. Arrange the panels along the longest wall or in the direction of light entering the room. Ensure that the extreme joints in successive rows are not aligned; the offset should be at least 30 cm. For a natural look and greater durability, avoid regular patterns — use random placement.



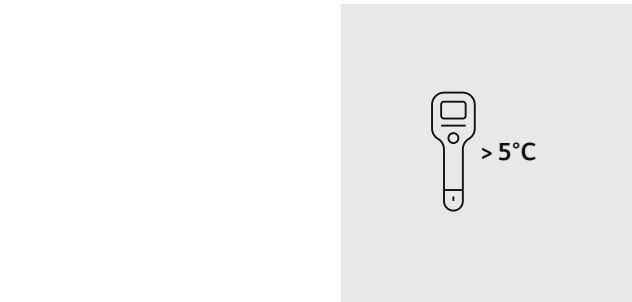
3

To cut Pacific Vinyl Floors panels, place the side with the pattern up and use a special vinyl panel cutter. Draw a cut line, press the knife, but do not cut the panel completely. Then break the panel by hand along the notch. For other cuts, use a saw, testing on an unneeded piece to see if it is better to cut with the pattern side up or down.



4

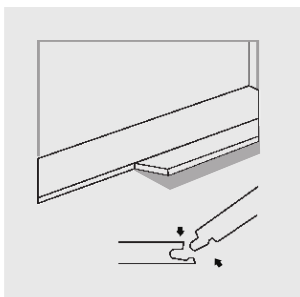
Pacific Vinyl Floors with its snap-in system allows for flexibility in choosing where to begin installation. To make installation easier, consider which installation method will be most convenient. The installation of Pacific Vinyl Floors is described from a right-handed perspective, that is, from right to left (looking from the front). Thanks to the UNILIN snap system, the floor can be laid in any direction. >>>



5

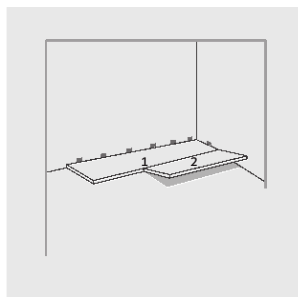
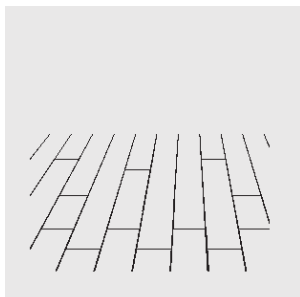
Pacific Vinyl Floors is a floating floor with a patented jointing system that does not require the panels to be fixed to the subfloor. Panels should also not be glued along the locks. Local gluing of locks is allowed only when replacing individual panels.

Installation of panels begins with the first panel in the corner of the room. Cut off the snap profiles along the longer and shorter edges of the panel with a saw. For the remaining panels in the first row, the snap profiles from the edge against the wall should also be removed. Cutting off the snap profile is required to ensure a proper expansion gap.



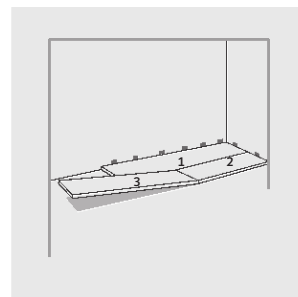
7

To make installation easier, connect the first three rows of panels away from the wall so you can work on the panels. Then move them to the desired position against the wall, using expansion wedges. Tighten a thin line along the mounted panels to check the straightness of the first three rows. Regularly check straightness during installation. Remember to use expansion wedges to ensure a proper expansion gap.

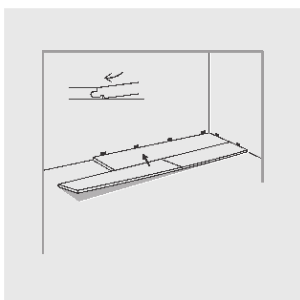


8

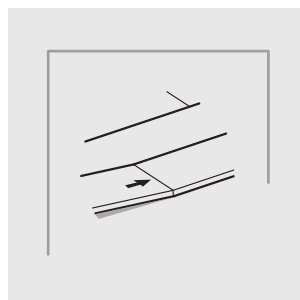
The patented system from Unilin allows for two ways of joining the panels. The most common method A is to join the panels at an angle on the short and long sides. Start by connecting the short side of the new panel with the short side of the already installed panel in the same row. >>>



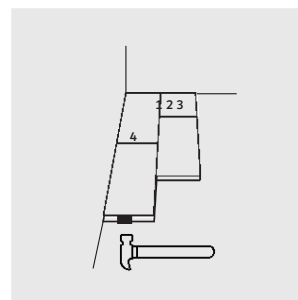
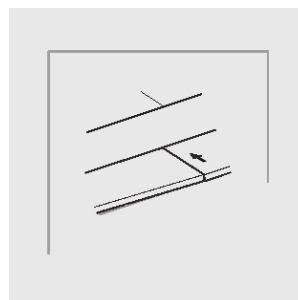
Then lift the panel to be mounted, placing it at an angle of 20-30° to the previous row. This will cause the previous panel in the same row to be lifted at the same time, since their short sides were previously connected.



Place both hands close to the connection of the short sides and pull the assembled panel toward the previous row to connect the lock on the long side. You can connect the locks groove-to-tongue or tongue-to-groove. >>>

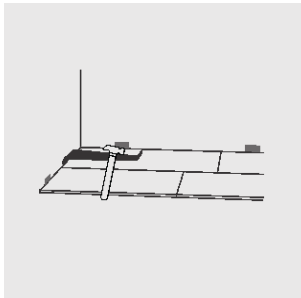


TIP: By kneeling on the installed part of the floor, you will avoid shifting panel groups when installing more panels.



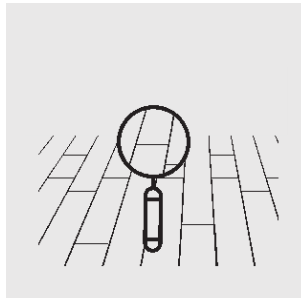
9

If method A is not possible, such as in hard-to-reach areas, method B (tapping) can be used. Panels with the patented system from Unilin can be joined by knocking them flat, eliminating the need to lift them. Instead of one hard knock, knock the panels gradually to avoid damage. First, lay one side of the panel at an angle, then knock to join the other side.



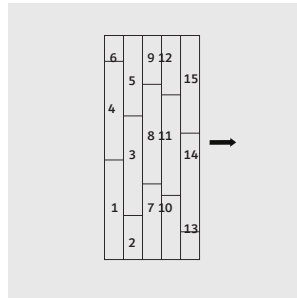
10

In places where it is difficult to use a tapping tool to install panels with a snap-on system (for example, close to a wall), you can connect the panels using a tightener and a hammer.



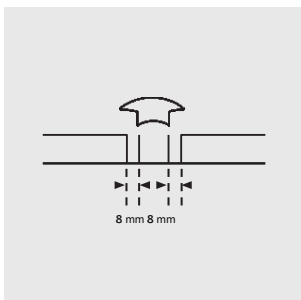
11

After installing each panel, before moving on to the next one, check that all short and long sides are well connected to make sure there are no gaps or differences in height.



12

Continue installing the subsequent rows of panels toward the edge of the room. It is most comfortable to work while sitting on pre-installed panels.

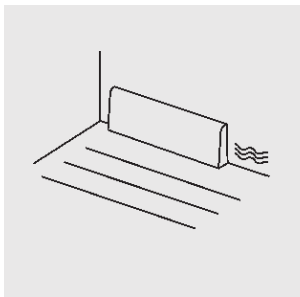


13

Wall expansion joint between panels and all elements of vertical structures (columns, walls, islands, etc.) should be min. 5 mm, and with underfloor heating min. 8 mm. Pacific Vinyl Floors can be installed without expansion strips in rooms with an area of 200m² or less and where none of the dimensions exceed 20m. >>>

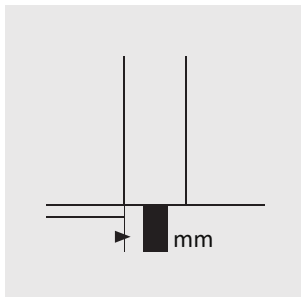
Expansion cut is required when:
a. room exceeds 20m in length;
b. room exceeds 20m in width;
c. area exceeds 200m²

Remove all spacer blocks and check the surface of the installed floor..



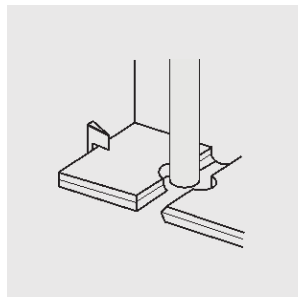
1

Install the skirting boards against the wall without attaching them directly to the floor to allow for expansion and contraction. Do not fill expansion joints with silicone or other substances.



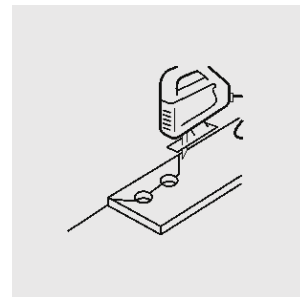
2

At the thresholds and doorframes, undercut the doorframe profiles. Turn the panel with the underside up, place it against the door frame and make a cut at the appropriate height, using a multi-tool or hand saw. Make sure that the expansion gap has the right value. Remove the cut piece and clean the surface of debris. Install the panel by sliding it under the door frame and filling the gap on the short side. Use a tightening and/or tapping tool to ensure a solid connection.



3

Arrange the panels in rows with pipes so that the pipe is on the joint line between the panels. Choose a drill bit with a pipe diameter plus 16 mm. Clip the panels on the short side and drill a hole in the middle of the connection of the two panels. Now the panels are ready for installation.



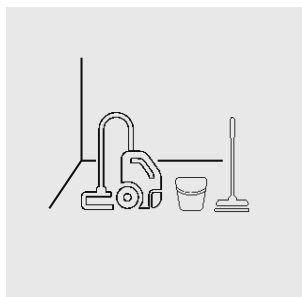
4

In rows with double pipes, follow the steps below:

Measure the place where the pipe is to pass through, adding 16 mm for the expansion gap, and the diameter of the pipe. Drill the panel where the pipe passes through.

Extend the opening to the edge of the panel. Place the panel around the pipe.

Care

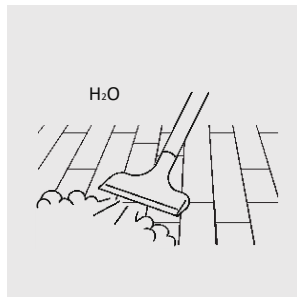


1

After the installation of Pacific Vinyl Floors is complete, you can walk on the floor right away. To preserve its appearance and extend its life, regular maintenance is key. The frequency of cleaning depends on the volume of traffic, the degree of dirt and the type of floor. Detailed information is available at www.pacificfloors.pl

For dry cleaning use a mop or vacuum cleaner

>>>

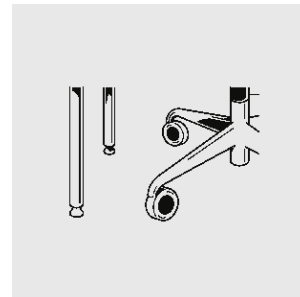


2

with soft wheels and a brush for vinyl floors to avoid scratches. Steam cleaners can be used, but be sure that the steam does not go directly to the floor surface. Use a suitable terry pad to evenly distribute heat and steam. Clean the floor along the panels and do not leave the nozzle in one place for too long.

Pacific Vinyl Floors can be cleaned with a damp mop. Use mild cleaning agents, avoiding soap, which can leave a sticky film, and agents with abrasive particles, which can tarnish the surface. Do not use too much detergent to avoid hard-to-remove residues. Improper maintenance can damage the floor. More information on cleaning is available at www.pacificfloors.pl.

>>>



3

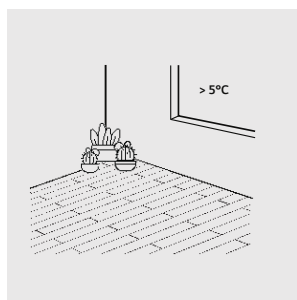
Legs of furniture and chairs should be secured, by using chairs with soft W-type casters or suitable pads.



4

Moving heavy objects across the floor is prohibited; lift them. The legs of the furniture should have a large surface area and be equipped with protective caps to reduce the risk of damage to the floor. Place welcome mats at the front door to limit bringing in >>>

dirt and sand, which will reduce the need for maintenance and prolong the life of the floor. Avoid contact with rubber, latex, cigarettes, matches and other hot objects to prevent permanent discoloration and damage.



5

Make sure the indoor temperature is always above 5°C. It is recommended that the interior temperature be maintained between 18-30°C



General Distributor in Poland:
Nobless Polska, Sierosław,
ul. Skrajna 3b, 62-080 Tarnowo Podgórne

pacificfloors.pl